

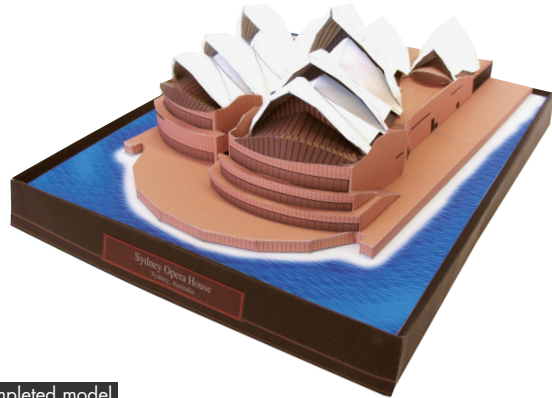
Sydney Opera House (Australia): Assembly Instructions

Canon ® is a registered trademark of Canon Inc. © Canon Inc. © A & A Co., Ltd.



PAPER CRAFT

<http://www.canon.com/c-park/en/>

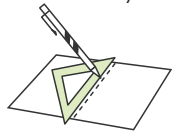


View of completed model

*This model was designed for Papercraft and may differ from the original in some respects.

Assembly Instructions: Six A4 sheets (No.1 to No.6)

*Build the model by carefully reading the Assembly Instructions, in the parts sheet page order.



*Hint: Trace along the folds with a ruler and an exhausted pen (no ink) to get a sharper, easier fold.

Assembly Instructions



Mountain fold(dotted line)
Make a mountain fold.



Valley fold(dashed and dotted line)
Make a valley fold.



Scissors line(solid line)
Cut along the line.



Cut in line(solid line)
Cut along the line.



Glue
The glue spot(colored dot) shows where to apply the glue.



Glue spot(Red dot)
Glue parts with the same number together.



Glue spot(Green dot)
Glue within the same part.



Glue spot(Blue dot)
Glue to the rear of the other part.

Tools and materials



Scissors, set square, glue(We recommend stick glue), pencil, used ballpoint pen, toothpicks, tweezers, (useful for handling small parts)

Assembly tip



Before gluing, create the paper along mountain fold and valley fold lines and make sure rounded sections are nice and stiff.

Caution

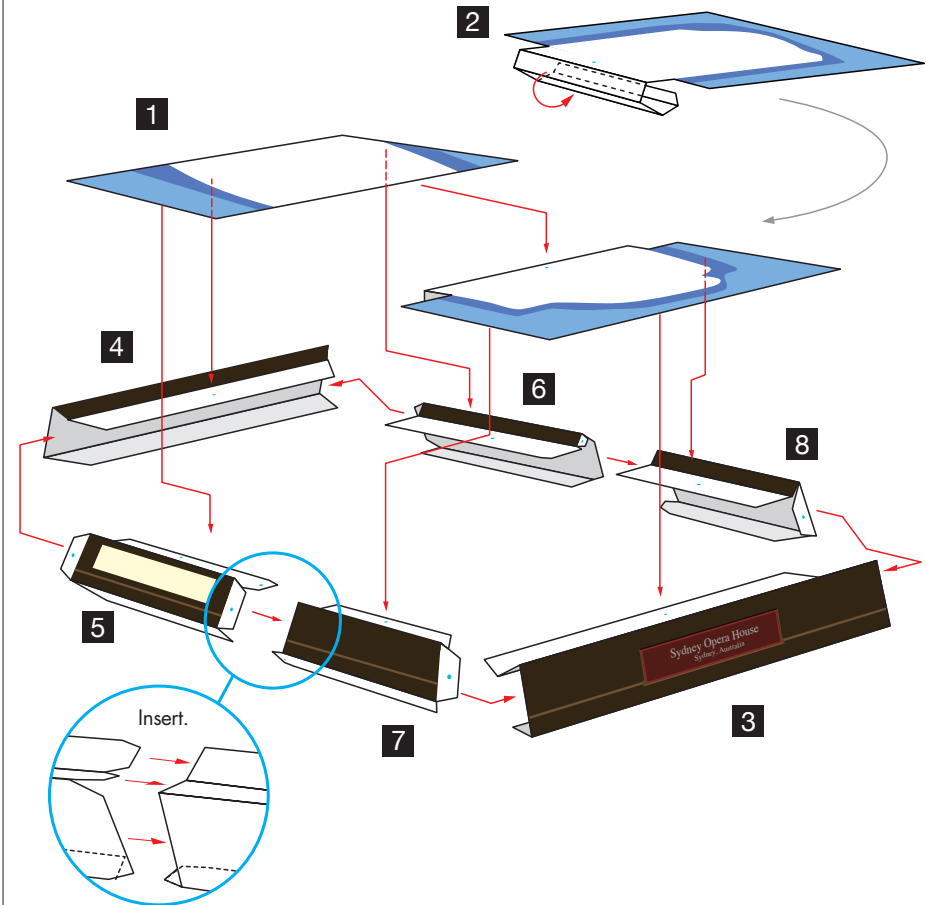


Glue, scissors and other tools may be dangerous to young children so be sure to keep them out of the reach of young children.

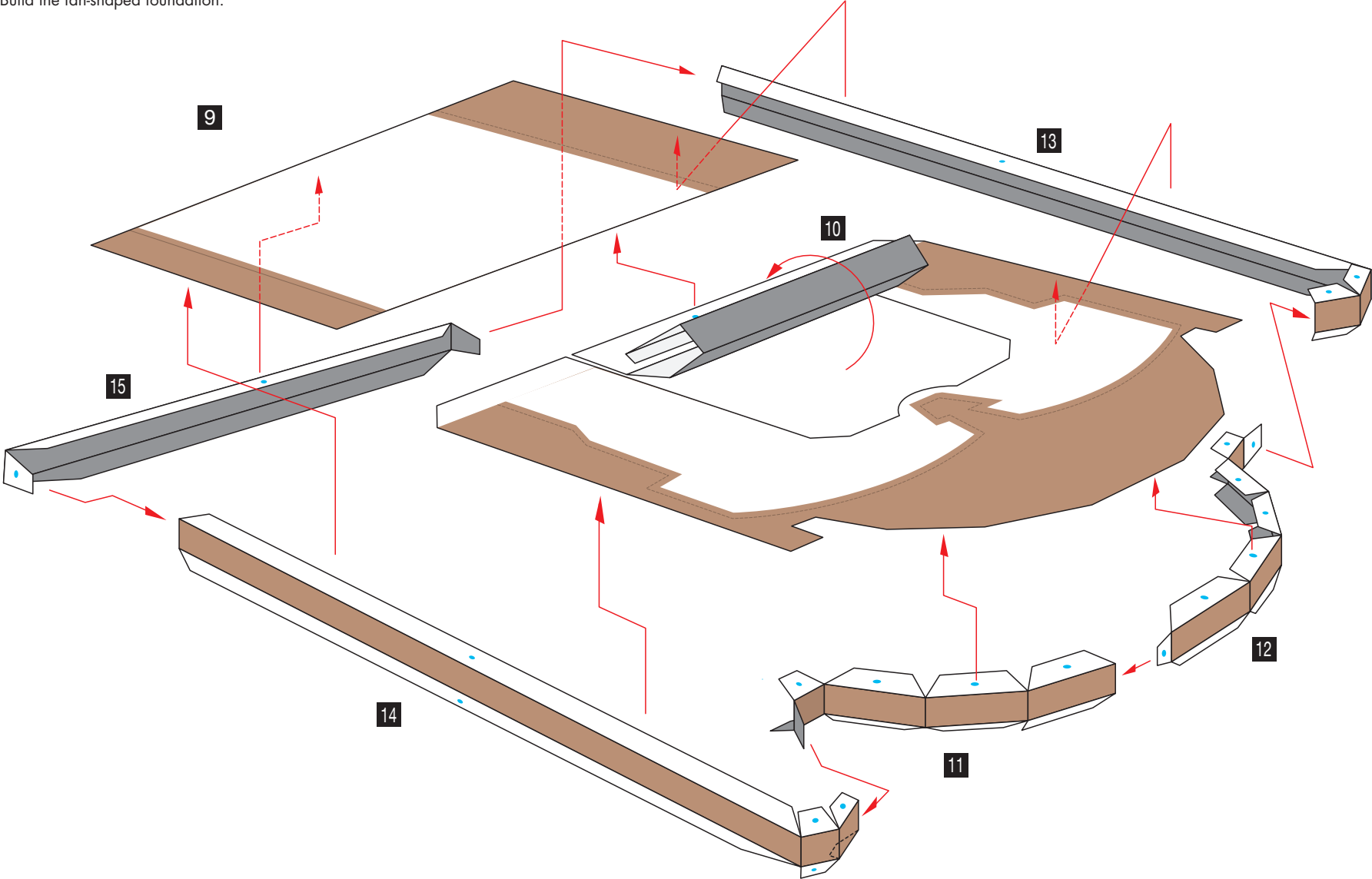
Before starting assembly: Writing the number of each section on its back side before cutting out the sections is highly recommended.
(* This way, you can be sure which section is which even after cutting out the sections.)

→ Indicates where sections should be glued together.

(1) Build the base.



(2) Build the fan-shaped foundation.

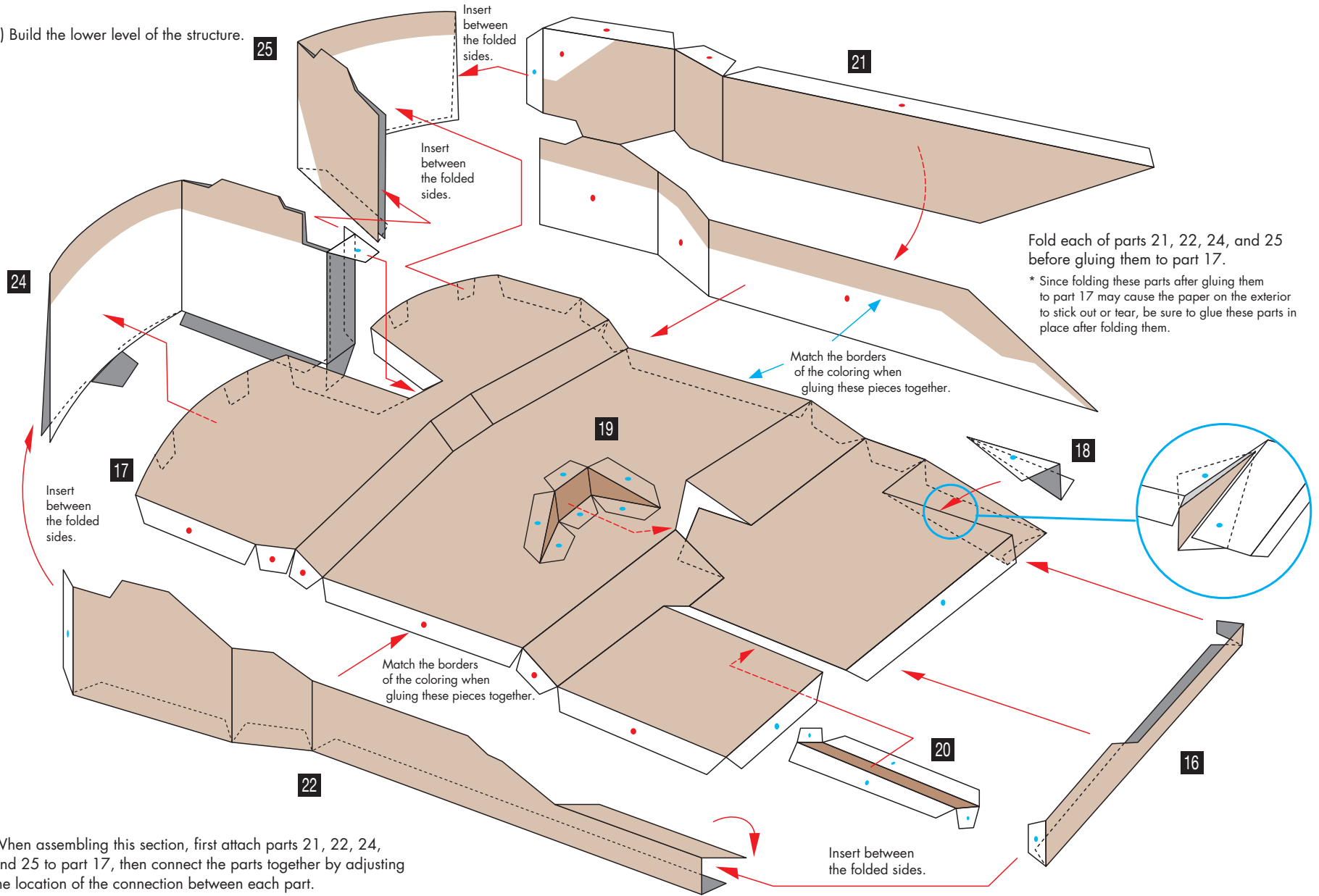


Sydney Opera House (Australia): Assembly Instructions

Canon® is a registered trademark of Canon Inc. © Canon Inc.
© A & A Co., Ltd.



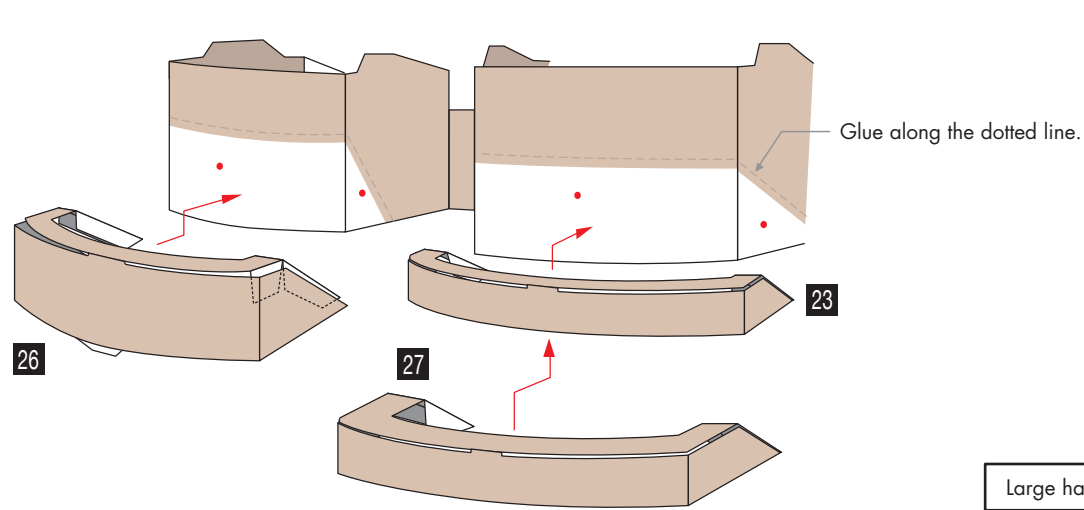
(3) Build the lower level of the structure.



When assembling this section, first attach parts 21, 22, 24, and 25 to part 17, then connect the parts together by adjusting the location of the connection between each part.

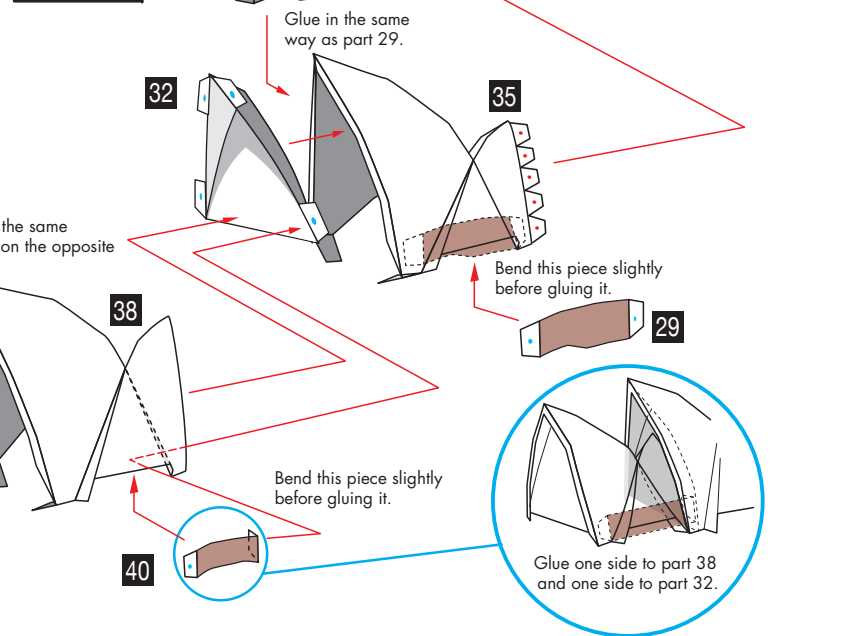
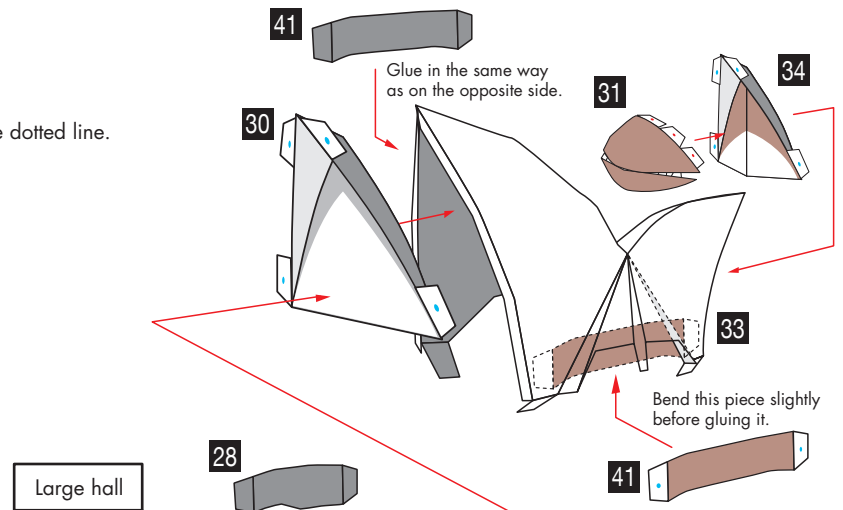
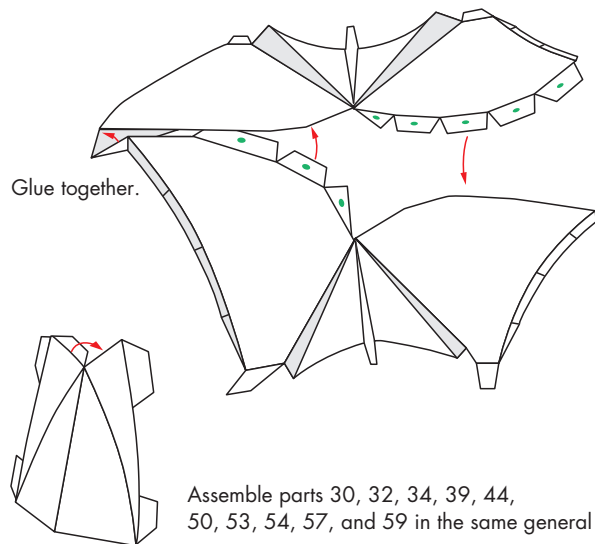
Sydney Opera House (Australia): Assembly Instructions

Canon® is a registered trademark of Canon Inc. © Canon Inc.
© A & A Co., Ltd.



(4) Build the large and small halls and the restaurant.

Assemble parts 33, 35, 38, 45, 52, 55, and 56 in the same general way.



Glue parts 28, 29, 40, and 41 in place last, adjusting the assembled parts while doing so.

Sydney Opera House (Australia): Assembly Instructions

Canon® is a registered trademark of Canon Inc. © Canon Inc. © A & A Co., Ltd.



Small hall

47: Glue in the same way as part 46.

48: Glue in the same way as on the opposite side.

49: Glue in the same way as on the opposite side.

50: Glue in the same way as on the opposite side.

51: Glue in the same way as on the opposite side.

52: Glue in the same way as on the opposite side.

53: Glue in the same way as on the opposite side.

54: Glue in the same way as on the opposite side.

55: Glue in the same way as on the opposite side.

56: Glue in the same way as on the opposite side.

57: Glue in the same way as on the opposite side.

58: Glue in the same way as on the opposite side.

59: Glue in the same way as on the opposite side.

60: Glue in the same way as on the opposite side.

61: Glue in the same way as on the opposite side.

42: Bend this piece slightly before gluing it.

43: Bend this piece slightly before gluing it.

44: Bend this piece slightly before gluing it.

45: Bend this piece slightly before gluing it.

46: Bend this piece slightly before gluing it.

48: Bend this piece slightly before gluing it.

49: Bend this piece slightly before gluing it.

51: Bend this piece slightly before gluing it.

52: Bend this piece slightly before gluing it.

53: Bend this piece slightly before gluing it.

56: Bend this piece slightly before gluing it.

57: Bend this piece slightly before gluing it.

58: Bend this piece slightly before gluing it.

59: Bend this piece slightly before gluing it.

46, 47, 48, 49, 61: Glue one side to the rear side of part 44 and one side to part 50.

Restaurant

61: Glue in the same way as on the opposite side.

60: Glue in the same way as on the opposite side.

59: Glue in the same way as on the opposite side.

58: Glue in the same way as on the opposite side.

57: Glue in the same way as on the opposite side.

56: Glue in the same way as on the opposite side.

55: Glue in the same way as on the opposite side.

54: Glue in the same way as on the opposite side.

53: Glue in the same way as on the opposite side.

52: Glue in the same way as on the opposite side.

51: Glue in the same way as on the opposite side.

50: Glue in the same way as on the opposite side.

49: Glue in the same way as on the opposite side.

48: Glue in the same way as on the opposite side.

47: Glue in the same way as on the opposite side.

46: Glue in the same way as on the opposite side.

45: Glue in the same way as on the opposite side.

44: Glue in the same way as on the opposite side.

43: Glue in the same way as on the opposite side.

42: Glue in the same way as on the opposite side.

41: Glue in the same way as on the opposite side.

40: Glue in the same way as on the opposite side.

39: Glue in the same way as on the opposite side.

38: Glue in the same way as on the opposite side.

37: Glue in the same way as on the opposite side.

36: Glue in the same way as on the opposite side.

35: Glue in the same way as on the opposite side.

34: Glue in the same way as on the opposite side.

33: Glue in the same way as on the opposite side.

32: Glue in the same way as on the opposite side.

31: Glue in the same way as on the opposite side.

30: Glue in the same way as on the opposite side.

29: Glue in the same way as on the opposite side.

28: Glue in the same way as on the opposite side.

27: Glue in the same way as on the opposite side.

26: Glue in the same way as on the opposite side.

25: Glue in the same way as on the opposite side.

24: Glue in the same way as on the opposite side.

23: Glue in the same way as on the opposite side.

22: Glue in the same way as on the opposite side.

21: Glue in the same way as on the opposite side.

20: Glue in the same way as on the opposite side.

19: Glue in the same way as on the opposite side.

18: Glue in the same way as on the opposite side.

17: Glue in the same way as on the opposite side.

16: Glue in the same way as on the opposite side.

15: Glue in the same way as on the opposite side.

14: Glue in the same way as on the opposite side.

13: Glue in the same way as on the opposite side.

12: Glue in the same way as on the opposite side.

11: Glue in the same way as on the opposite side.

10: Glue in the same way as on the opposite side.

9: Glue in the same way as on the opposite side.

8: Glue in the same way as on the opposite side.

7: Glue in the same way as on the opposite side.

6: Glue in the same way as on the opposite side.

5: Glue in the same way as on the opposite side.

4: Glue in the same way as on the opposite side.

3: Glue in the same way as on the opposite side.

2: Glue in the same way as on the opposite side.

1: Glue in the same way as on the opposite side.

(5) Glue the large and small halls and the restaurant to (3) the lower section of the structure (3).

Large hall

Small hall

Restaurant

(3) Lower section of structure

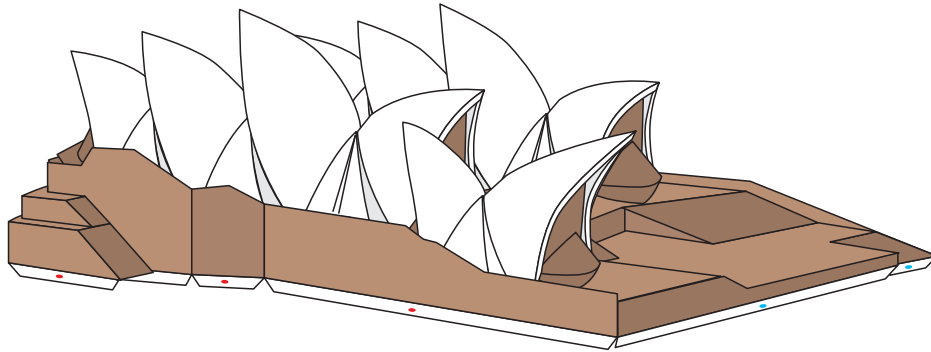
Sydney Opera House (Australia): Assembly Instructions

Canon® is a registered trademark of Canon Inc. © Canon Inc.
© A & A Co., Ltd.

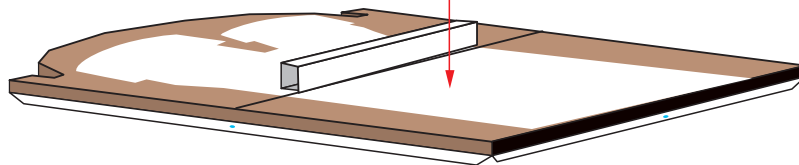


(6) Complete the model by gluing the base assembled in step (1) to the foundation assembled in step (2) and the structure assembled in step (5).

(5) Structure



(2) Foundation



(1) Base

